

EXTENDABLE PAN CONNECTOR

AIRCONNECT PUSH-FIT

AIRCONNECT is the first 2-in-1 WC pan connector that combines high performance drainage with integrated AIRSYSTEM ventilation, which eliminates drain odours and pipe noise! A universal solution, AIRCONNECT replaces a large array of pan connectors: it is flexible, extendable, and equipped with a multi-diameter outlet. AIRCONNECT is the easiest way to install a ventilation on a pipe network, without drilling any hole. Working effectively even when tilted, it is more convenient than conventional anti-vacuum devices. Made from at least 50% recycled materials, it has been eco-designed from start and features an exceptional 10-year warranty and Longtime label certification.



The 2-in-1 pan connector that drains and ventilates pipes!



SCAN
to watch
the video



09/07/26



wirquin

AIRCONNECT PUSH-FIT

Inventor of the flexible toilet pipe, which revolutionized the installation of WC pan connector during renovations, WIRQUIN is now launching a new generation of pan connector. AIRCONNECT is the first 2-in-1 WC pan connector that combines two functions in a easy-to-install solution: efficient drainage combined with the integrated AIR SYSTEM ventilation, which eliminates drain odours and pipe noise!

BENEFITS



COMFORT

· AIRCONNECT, thanks to its AIR SYSTEM technology eliminates noise and odour backflow in the bathroom by creating or improving ventilation within the piping system.



UNIVERSAL AND SMART INSTALLATION

· Thanks to its multi-diameter, extendable, and adjustable design it adapts to all configurations. The easiest way to install a ventilation, without drilling any hole ! AIRCONNECT works even when tilted (156°), unlike conventional air admittance valves that require strict vertical placement



BUILT TO LAST

· AIRCONNECT benefits from a 10-year warranty and is LONGTIME® label certified. It is made from over 50% recycled material. The use of recycled material saves 27 tons of virgin material per year.



EASY MAINTENANCE

· Thanks to its integrated inspection hole, easily maintain your pipes with AIRCONNECT.



AIR SYSTEM

Thanks to its pressure-sensitive membrane, the AIR SYSTEM automatically opens under negative pressure conditions within the piping system, admitting air into the network to equalize pressure. This ensures smooth, silent drainage without any odour backflow.



CHARACTERISTICS

Outlet \varnothing : 93/100/110 mm.

Connection type : Push-fit or Sol ent weld.

Angle in $^{\circ}$: 45.

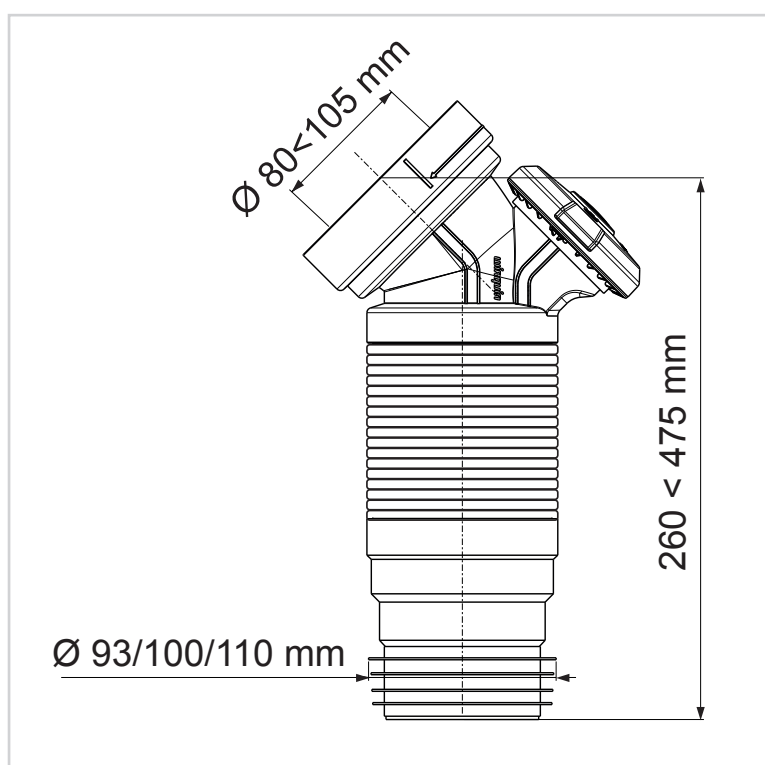
Total length : 475 mm.

Minimum length : 260 mm.

Connector inlet \varnothing : 80-105 mm.

Inlet material : ABS. Outlet material : ABS.

Item main raw material : ABS.



CARE AND CLEANING

To protect your installation, do not use cleaning products that contain sulfuric acid.
Do not use a drain snake.

QUALITY

DURABILITY: From design to the use of recycled materials, Wirquin develops robust products that ensure long-lasting performance.

REPAIRABILITY: The availability of essential spare parts demonstrate Wirquin's commitment to the product's longevity.

AIRCONNECT PUSH-FIT

The 2-in-1 pan connector that drains and ventilates pipes!



KEY INFORMATION

Product name	Product code	EAN 13	Packaging	Product Qty / box
AIRCONNECT PUSH-FIT	70120824	5017130000000	PLASTIC BAG	12