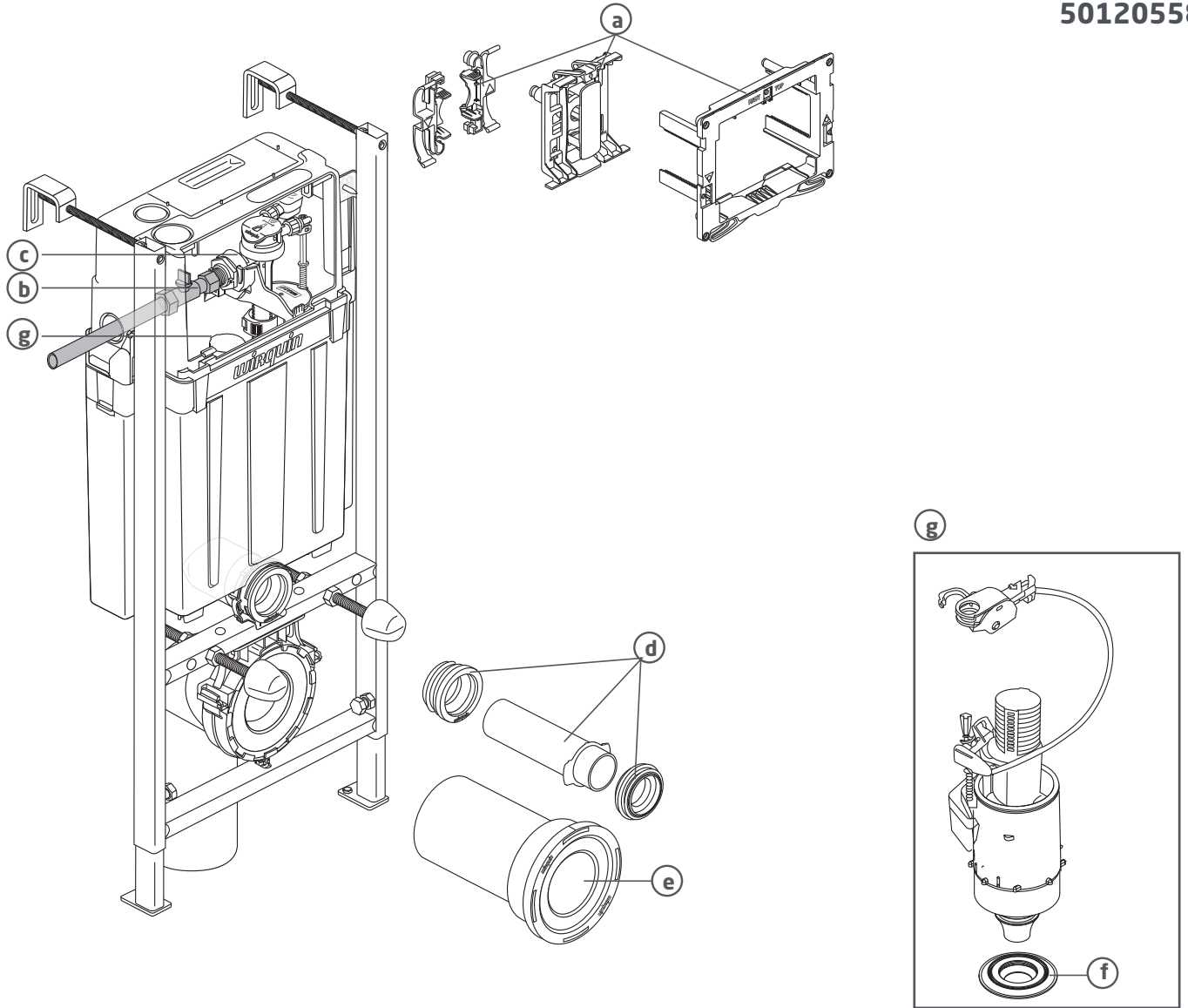




# INITIO 0.8 SPARE PART

A - 11/2025

50120511  
50120558



	DESIGNATION	REF	EAN
<b>(a)</b>	CONTROL PLATE SUPPORT KIT H304	50950190	6425366006352
<b>(b)</b>	STRAIGHT STOPCOCK 1/2" - 1/4 TURN	50950197	6425366006420
<b>(c)</b>	INLET VALVE JOLLYFILL AIR SIDE ENTRY 1/2" PLASTIC	50950188	6425366006338
<b>(d)</b>	FLUSH PIPE CONNECTOR SMART WC FRAME	50950191	6425366006369
<b>(e)</b>	STRAIGHT WC PIPE	50950196	6425366006413
<b>(f)</b>	VALVE WASHER	50950187	6425366006321
<b>(g)</b>	MW2 MECHANISM FOR H304	50950199	6425366006444