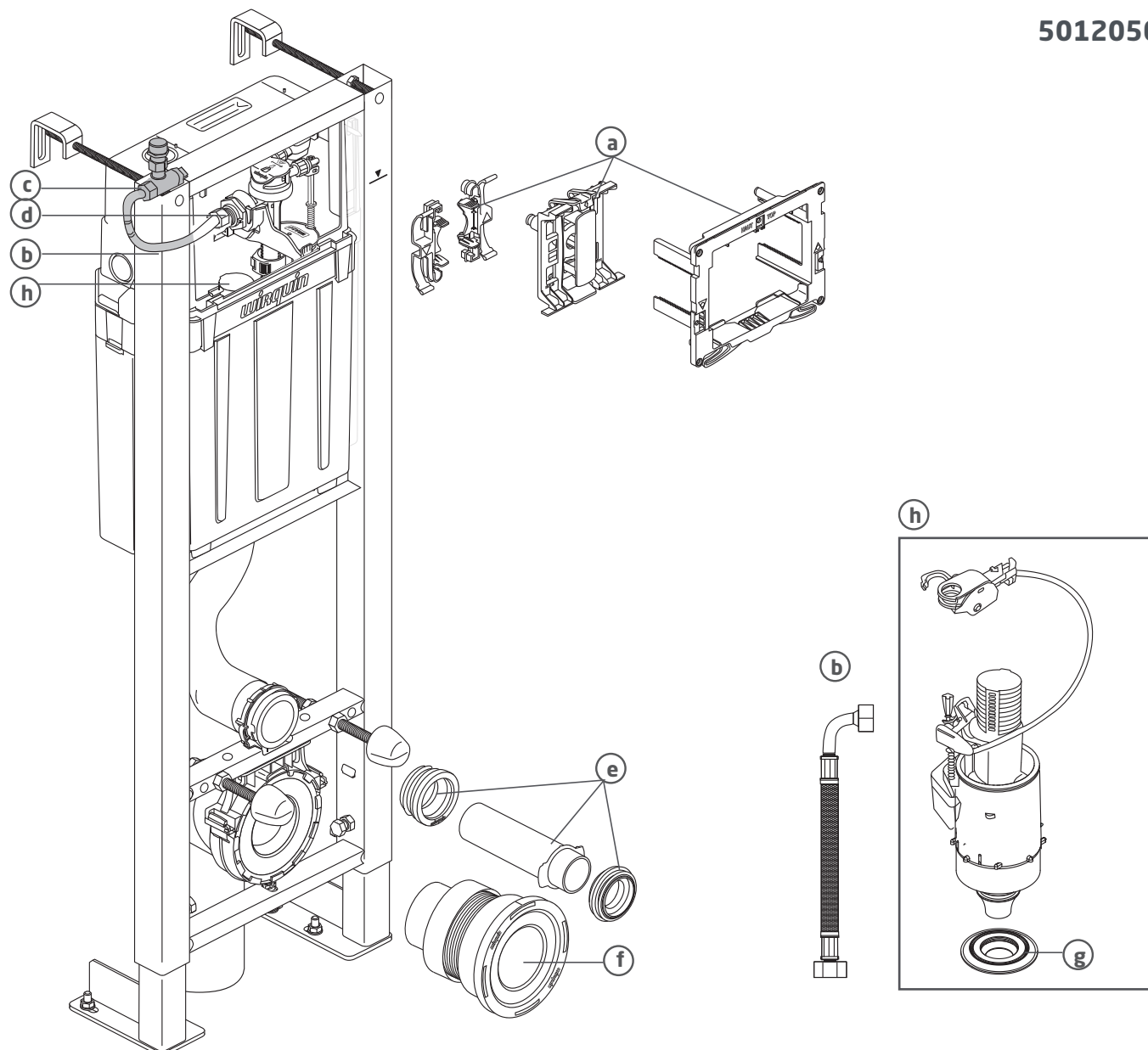




# COMPACT+ SPARE PART

B -05/2026

50120560



	DESIGNATION	REF	EAN
(a)	CONTROL PLATE SUPPORT KIT H304	50950190	6425366006352
(b)	BENDE FLEXIBLE HOSE 3/8" AND 1/2"	50950184	6425366006291
(c)	SQUARE STOPCOCK 3/8" - 1/4 TURN	50950195	6425366006406
(d)	INLET VALVE JOLLYFILL AIR SIDE ENTRY 1/2" PLASTIC	10120701	5017134148954
(e)	FLUSH PIPE CONNECTOR SMART WC FRAME	50950191	6425366006369
(f)	AFTER SALE EXTENSIBLE WC PIPE	50950186	6425366006314
(g)	VALVE WASHER	10717748	3375537177158
(h)	MW2 MECHANISM FOR H304	50950199	6425366006444