

## SHOWERTRAY TRAY FEET SET

### SHOWER TRAY FEET - SET OF 4



*Strong stability. Easy adjustment.*

Adjustable feet for shower tray installation. Highly resistant, they can support up to 450 kg/foot. Easy to adjust from 88 mm to 172 mm height by hand or with a screwdriver. They offer a perfect stability to shower tray thanks to anti-slip pad and 4 fixation points on each foot.



**wirquin**

# SHOWER TRAY FEET - SET OF 4

## BENEFITS



### HIGH RESISTANCE TO SUPPORT HEAVY SHOWER TRAYS

- Can support 450 kg/foot



### COMPATIBLE WITH ALL INSTALLATIONS

- Adjustable from 88 mm to 172 mm



### QUICK AND EASY ADJUSTMENT TO ENSURE A LEVEL INSTALLATION

- Visual height indicators adjustable by hand or with a screwdriver



### INCREASED SAFETY AND STABILITY OF THE SHOWER TRAY

- Anti-slip pad and 4 screw fixing points per foot

## CHARACTERISTICS

Adjustable feet : Yes. Adjustable feet min. : 88 mm. Adjustable feet max. : 172 mm.

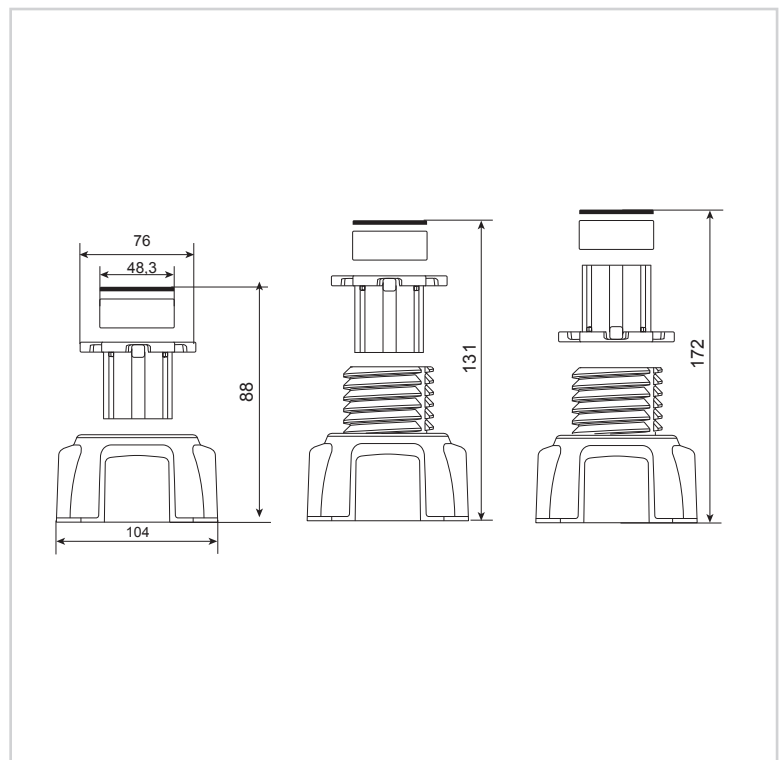
Adjustment type : Manual screwing, Mechanical screwing with 6 mm screw driver. Graduation type : Graduated scale of 5. Fixation type : Screwing to the floor, Gluing to the floor.

Base  $\varnothing$  : 104 mm. Compressive strength : 450 Kg/feet kg.

Foot color : Black. Foot material : PP.

Non-slip pad. Non-slip pad material : Soft plastic. Non-slip pad thickness : 4 mm.

Item main raw material : PP.



# SHOWER TRAY FEET - SET OF 4

*Strong stability. Easy adjustment.*



## QUALITY

Made with more than 96% recycled material

## KEY INFORMATION

Product name	Product code	EAN 13 / GTIN 13	Packaging	Product Qty / box
Shower tray feet - set of 4	30724315	3375537241422	PLASTIC BAG	10