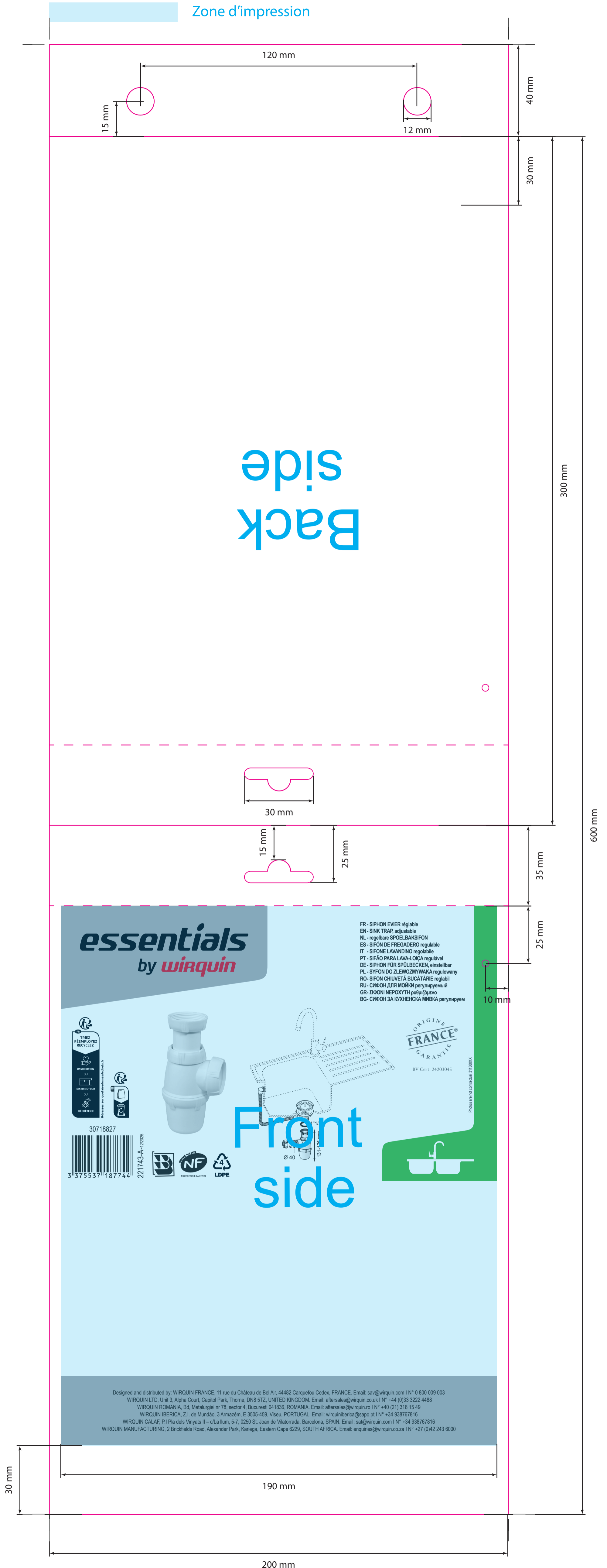


Blanc de soutien

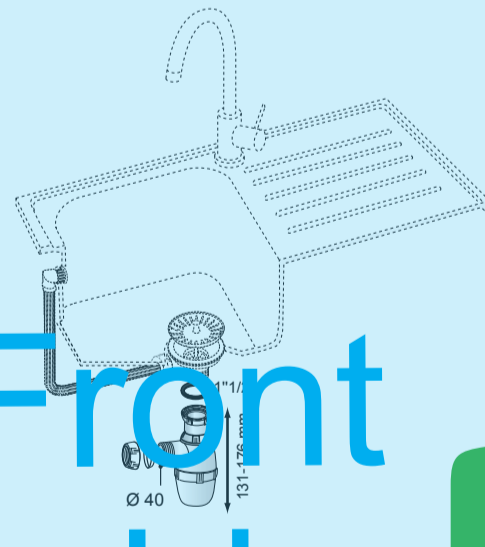
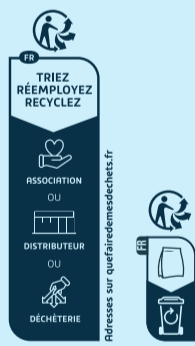
Zone d'impression



Back side

Front side

essentials
by wirquin



FR - SIPHON EVIER réglable
EN - SINK TRAP adjustable
NL - regelbare SPOELBAKSIFON
ES - SIFÓN DE FREGADERO regulable
IT - SIFONE LAVANDINO regolabile
PT - SIFÃO PARA LAVA-LOIÇA regulável
DE - SIFON FÜR SPÜLBECKEN, einstellbar
PL - SYFON DO ZLEWQZMYWAKA regulowany
RO - СИФОН ДЛЯ ВУСĂТАРЕ regulabil
RU - СИФОН ДЛЯ МОЙКИ регулируемый
GR - ΣΙΦΟΝΙ ΝΕΡΟΧΥΤΗ ρυθμιζόμενο
BG - СИФОН ЗА КУХИНЕНСКА МИВКА регулируем

Designed and distributed by: WIRQUIN FRANCE, 11 rue du Château de Bel Air, 44432 Carquefou Cedex, FRANCE. Email: sav@wirquin.com I N° 0 800 009 003
WIRQUIN LTD, Unit 3, Alpha Court, Capitol Park, Thorne, DN8 5TZ, UNITED KINGDOM. Email: aftersales@wirquin.co.uk I N° +44 (0)33 3222 4488
WIRQUIN ROMANIA, Bd. Metalurgiei nr 78, sector 4, Bucuresti 041836, ROMANIA. Email: aftersales@wirquin.ro I N° +40 (21) 318 15 49
WIRQUIN IBERICA, Z.I. de Mundão, 3 Armazém, E 3505-459, Viseu, PORTUGAL. Email: wirquiniberica@sapo.pt I N° +34 938767816
WIRQUIN CALAF, P.I Pla dels Vinyats II - c/La llum, 5-7, 0250 St. Joan de Vilatorrada, Barcelona, SPAIN. Email: sal@wirquin.com I N° +34 938767816
WIRQUIN MANUFACTURING, 2 Brickfields Road, Alexander Park, Kariega, Eastern Cape 6229, SOUTH AFRICA. Email: enquiries@wirquin.co.za I N° +27 (0)42 243 6000

30 mm

190 mm

200 mm

40 mm

30 mm

300 mm

600 mm

35 mm

25 mm

10 mm

30 mm

15 mm

25 mm

15 mm

12 mm

120 mm

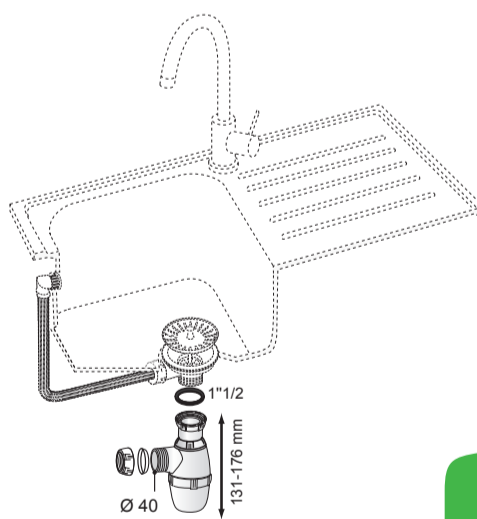
essentials
by **wirquin**



30718827



221743-A-122205



FR - SIPHON EVIER réglable
EN - SINK TRAP adjustable
NL - regelbare SPOELBAKSIFON
ES - SIFÓN DE FREGADERO regulable
IT - SIFONE LAVANDINO regolabile
PT - SIFÃO PARA LAVA-LOIÇA regulável
DE - SIFON FÜR SPÜLBECKEN, einstellbar
PL - SYFON DO ZLEWZMYWAKA regulowany
RO - SIFON PENTRU BUCĂTĂRIE regulabil
RU - СИФОН ДЛЯ МОЙКИ регулируемый
GR - ΣΙΦΟΝΙ ΠΕΡΟΥΧΤΗ ρυθμιζόμενο
BG - СИФОН ЗА КУХИНЕНСКА МИВКА регулируем

ORIGINE
FRANCE
GARANTIE

BV Cert. 24203045

Photos are not contractual 311300XX



Designed and distributed by: WIRQUIN FRANCE, 11 rue du Château de Bel Air, 44432 Carquefou Cedex, FRANCE. Email: sav@wirquin.com I N° 0 800 009 003
WIRQUIN LTD, Unit 3, Alpha Court, Capitol Park, Thorne, DN8 5TZ, UNITED KINGDOM. Email: aftersales@wirquin.co.uk I N° +44 (0)33 3222 4488
WIRQUIN ROMANIA, Bd. Metalurgiei nr 78, sector 4, Bucuresti 041836, ROMANIA. Email: aftersales@wirquin.ro I N° +40 (21) 318 15 49
WIRQUIN IBERICA, Z.I. de Mundão, 3 Armazém, E 3505-459, Viseu, PORTUGAL. Email: wirquiniberica@sapo.pt I N° +34 938767816
WIRQUIN CALAF, P.I Pla dels Vinyats II - c/La Ilum, 5-7, 0250 St. Joan de Vilatorrada, Barcelona, SPAIN. Email: sat@wirquin.com I N° +34 938767816
WIRQUIN MANUFACTURING, 2 Brickfields Road, Alexander Park, Kariega, Eastern Cape 6229, SOUTH AFRICA. Email: enquiries@wirquin.co.za I N° +27 (0)42 243 6000