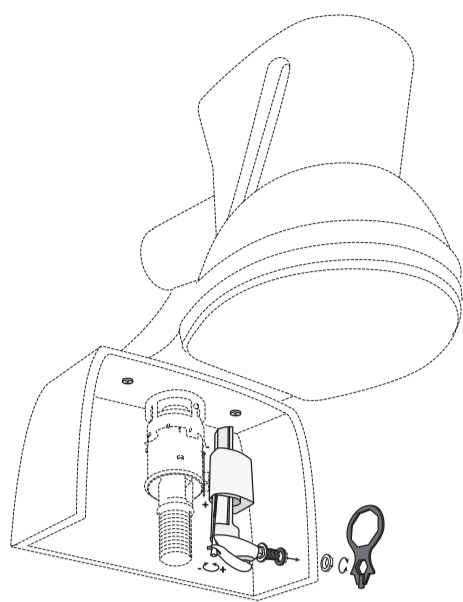




Wirquin spol. s r.o. Plynový rozptylč 3/8", Termínka, s.r.o.  
Křovice 17, Mlýnský průmyslový areál, 250 02, Brno, ČR



WIRQUIN 11 rue du Château de Bèze 44422 Bourgneuf Cedex FRANCE

WIRQUIN LTD Unit 3, Alpha Court, Capital Park, Thorne, DN8 5TZ - UK

WIRQUIN ROMANIA B4, Metalurgi nr 78, sector 4, Bucuresti, Romania

WIRQUIN ROMANIA ZI de Alibavasa F. Vilniau 8 3615-187 Vrsau PORTUGAL

WIRQUIN IBERICA Polígono Industrial Pa C/ La Lina Nº 5-7 08250 Sant Joan De Vilatorrada Barcelona, SPAIN

WIRQUIN SOUTH AFRICA P.O. Box 295 Somerset East 6850 SOUTH AFRICA

WIRQUIN RUSSIE UL Pilssova, 90 601110, Kostovo Vladimir Region RUSSIA

Produktová línia: Břazená Tlačítka, Francaise, Křovice, Křovice, Česko.  
Изготовитель: Брасс Тлачкіткі, Францаісе, Кр'овіце, Кр'овіце, Чэхія.  
Производитель: Брасс Тлачкіткі, Францаісе, Кр'овіце, Кр'овіце, Чэхія.

is committed: discover our sustainable development report online  
www.wirquin.com

F90  
3 375530 038210  
219835-A-01/2021

**FR** Robinet flotteur servo  
Débit: 0,17 l/seconde  
Classe acoustique: II.  
Acoustic class: II. Flow rate: 0,17 l/second

**EN** Float valve/side entry servo valve with 3/8" brass fitting, fast fill 6L in 38 seconds at 3 bars, adjustable level. Acoustic class: II. Flow rate: 0,17 l/second

**NL** Servovlotterkraan/zijwaartse toevoer, uiteinde in messing 3/8", snelle vulling: 6 l in 38 seconden bij 3 bar, instelbaar vuliniveau. Geluidsklasse: II. Debiet: 0,17 l/sec.

**ES** Cifro flotador servo-válvula lateral alimentación, lateral servoválvula, alimentación servoválvula, alimentación lateral. Clase acústica: II. Caudal: 0,17 l/segundo

**IT** Rubinetto galleggiante servovalvola a 3 bar, nivel regulável. Classe acústica: II. Portata: 0,17 l/seg

**PT** Torneira de boia com servovalvula, alimentação servovalvula, alimentação lateral, entrada em latão rápido 6 l em 38 segundos a 3 bar, nivel regulável. Classe acústica: II. Fluxo de água: 0,17 l/seg

**BC** Арматура за тоалетно казаче, странично пълнеж механизъм със мембранни, бокован наконечник 3/8", бърстро наполнение 6 л за 38 секунди при давлении 3 бар, регулируемия уroveň. Акустическа група: II. Скорост слива: 0,17 л/с.

**RU** Заливной клапан мембранный, бокован наконечник 3/8", быстрое наполнение 6 л за 38 секунд при давлении 3 бар, регулируемая уroveň. Акустическая группа: II. Скорость слива: 0,17 л/с.

**PL** Zawór napelniający do WC boczny z mosięzną końcówką 3/8", szybkie napełnienie 6L w 38 sekund przy ciśnieniu 3 bar, regulowany poziom. Klasa głośności: II. Przepływ: 0,17 l/s

**DE** Schwimmventil mit seitlichem Zulauf, Messingstütze 3/8", schnelle Befüllung 6L in 38 Sekunden bei 3 bar, einstellbarer Füllstand. Akustische Klasse: II. Abflussmenge: 0,17 l/sek

Photos are not contractual - F90ND

23DBA  
SILENCIEUX  
SILENT

3/8"  
LAITON  
BRASS  
COMPACT

ROBINET FLOTTEUR  
Servo valve  
INLET VALVE  
Servovalve

F90

23DBA  
SILENCIEUX  
SILENT

3/8"  
LAITON  
BRASS  
COMPACT

ROBINET FLOTTEUR  
Servo valve  
INLET VALVE  
Servovalve

F90

23DBA  
SILENCIEUX  
SILENT

3/8"  
LAITON  
BRASS  
COMPACT

ROBINET FLOTTEUR  
Servo valve  
INLET VALVE  
Servovalve

F90

23DBA  
SILENCIEUX  
SILENT

3/8"  
LAITON  
BRASS  
COMPACT

ROBINET FLOTTEUR  
Servo valve  
INLET VALVE  
Servovalve

F90

23DBA  
SILENCIEUX  
SILENT

3/8"  
LAITON  
BRASS  
COMPACT

ROBINET FLOTTEUR  
Servo valve  
INLET VALVE  
Servovalve

F90

23DBA  
SILENCIEUX  
SILENT

3/8"  
LAITON  
BRASS  
COMPACT

ROBINET FLOTTEUR  
Servo valve  
INLET VALVE  
Servovalve

F90

23DBA  
SILENCIEUX  
SILENT

3/8"  
LAITON  
BRASS  
COMPACT

ROBINET FLOTTEUR  
Servo valve  
INLET VALVE  
Servovalve

F90

23DBA  
SILENCIEUX  
SILENT

3/8"  
LAITON  
BRASS  
COMPACT

ROBINET FLOTTEUR  
Servo valve  
INLET VALVE  
Servovalve

F90

23DBA  
SILENCIEUX  
SILENT

3/8"  
LAITON  
BRASS  
COMPACT

ROBINET FLOTTEUR  
Servo valve  
INLET VALVE  
Servovalve

F90

23DBA  
SILENCIEUX  
SILENT

3/8"  
LAITON  
BRASS  
COMPACT

ROBINET FLOTTEUR  
Servo valve  
INLET VALVE  
Servovalve

F90

23DBA  
SILENCIEUX  
SILENT

3/8"  
LAITON  
BRASS  
COMPACT

ROBINET FLOTTEUR  
Servo valve  
INLET VALVE  
Servovalve

F90

23DBA  
SILENCIEUX  
SILENT

3/8"  
LAITON  
BRASS  
COMPACT

ROBINET FLOTTEUR  
Servo valve  
INLET VALVE  
Servovalve

F90

23DBA  
SILENCIEUX  
SILENT

3/8"  
LAITON  
BRASS  
COMPACT

ROBINET FLOTTEUR  
Servo valve  
INLET VALVE  
Servovalve

F90

23DBA  
SILENCIEUX  
SILENT

3/8"  
LAITON  
BRASS  
COMPACT

ROBINET FLOTTEUR  
Servo valve  
INLET VALVE  
Servovalve

F90

23DBA  
SILENCIEUX  
SILENT

3/8"  
LAITON  
BRASS  
COMPACT

ROBINET FLOTTEUR  
Servo valve  
INLET VALVE  
Servovalve

F90

23DBA  
SILENCIEUX  
SILENT

3/8"  
LAITON  
BRASS  
COMPACT

ROBINET FLOTTEUR  
Servo valve  
INLET VALVE  
Servovalve

F90

23DBA  
SILENCIEUX  
SILENT

3/8"  
LAITON  
BRASS  
COMPACT

ROBINET FLOTTEUR  
Servo valve  
INLET VALVE  
Servovalve

F90

23DBA  
SILENCIEUX  
SILENT

3/8"  
LAITON  
BRASS  
COMPACT

ROBINET FLOTTEUR  
Servo valve  
INLET VALVE  
Servovalve

F90

23DBA  
SILENCIEUX  
SILENT

3/8"  
LAITON  
BRASS  
COMPACT

ROBINET FLOTTEUR  
Servo valve  
INLET VALVE  
Servovalve

F90

23DBA  
SILENCIEUX  
SILENT

3/8"  
LAITON  
BRASS  
COMPACT

ROBINET FLOTTEUR  
Servo valve  
INLET VALVE  
Servovalve

F90

23DBA  
SILENCIEUX  
SILENT

3/8"  
LAITON  
BRASS  
COMPACT

ROBINET FLOTTEUR  
Servo valve  
INLET VALVE  
Servovalve

F90

23DBA  
SILENCIEUX  
SILENT

3/8"  
LAITON  
BRASS  
COMPACT

ROBINET FLOTTEUR  
Servo valve  
INLET VALVE  
Servovalve

F90

23DBA  
SILENCIEUX  
SILENT

3/8"  
LAITON  
BRASS  
COMPACT

ROBINET FLOTTEUR  
Servo valve  
INLET VALVE  
Servovalve

F90

23DBA  
SILENCIEUX  
SILENT

3/8"  
LAITON  
BRASS  
COMPACT

ROBINET FLOTTEUR  
Servo valve  
INLET VALVE  
Servovalve

F90

23DBA  
SILENCIEUX  
SILENT

3/8"  
LAITON  
BRASS  
COMPACT

ROBINET FLOTTEUR  
Servo valve  
INLET VALVE  
Servovalve

F90

23DBA  
SILENCIEUX  
SILENT

3/8"  
LAITON  
BRASS  
COMPACT

ROBINET FLOTTEUR  
Servo valve  
INLET VALVE  
Servovalve

F90

23DBA  
SILENCIEUX  
SILENT

3/8"  
LAITON  
BRASS  
COMPACT

ROBINET FLOTTEUR  
Servo valve  
INLET VALVE  
Servovalve

F90

23DBA  
SILENCIEUX  
SILENT

3/8"  
LAITON  
BRASS  
COMPACT

ROBINET FLOTTEUR  
Servo valve  
INLET VALVE  
Servovalve

F90

23DBA  
SILENCIEUX  
SILENT

3/8"  
LAITON  
BRASS  
COMPACT

ROBINET FLOTTEUR  
Servo valve  
INLET VALVE  
Servovalve

F90

23DBA  
SILENCIEUX  
SILENT

3/8"  
LAITON  
BRASS  
COMPACT

ROBINET FLOTTEUR  
Servo valve  
INLET VALVE  
Servovalve

F90

23DBA  
SILENCIEUX  
SILENT

3/8"  
LAITON  
BRASS  
COMPACT

ROBINET FLOTTEUR  
Servo valve  
INLET VALVE  
Servovalve

F90

23DBA  
SILENCIEUX  
SILENT

3/8"  
LAITON  
BRASS  
COMPACT

ROBINET FLOTTEUR  
Servo valve  
INLET VALVE  
Servovalve

F90

23DBA  
SILENCIEUX  
SILENT

3/8"  
LAITON  
BRASS  
COMPACT

ROBINET FLOTTEUR  
Servo valve  
INLET VALVE  
Servovalve

F90

23DBA  
SILENCIEUX  
SILENT

3/8"  
LAITON  
BRASS  
COMPACT

ROBINET FLOTTEUR  
Servo valve  
INLET VALVE  
Servovalve

F90

23DBA  
SILENCIEUX  
SILENT

3/8"  
LAITON  
BRASS  
COMPACT

ROBINET FLOTTEUR  
Servo valve  
INLET VALVE  
Servovalve

F90

23DBA  
SILENCIEUX  
SILENT

3/8"  
LAITON  
BRASS  
COMPACT

ROBINET FLOTTEUR  
Servo valve  
INLET VALVE  
Servovalve

F90

23DBA  
SILENCIEUX  
SILENT

3/8"  
LAITON  
BRASS  
COMPACT

ROBINET FLOTTEUR  
Servo valve  
INLET VALVE  
Servovalve

F90

23DBA  
SILENCIEUX  
SILENT

3/8"  
LAITON  
BRASS  
COMPACT

ROBINET FLOTTEUR  
Servo valve  
INLET VALVE  
Servovalve

F90

23DBA  
SILENCIEUX  
SILENT

3/8"  
LAITON  
BRASS  
COMPACT

ROBINET FLOTTEUR  
Servo valve  
INLET VALVE  
Servovalve

F90

23DBA  
SILENCIEUX  
SILENT

3/8"  
LAITON  
BRASS  
COMPACT

ROBINET FLOTTEUR  
Servo valve  
INLET VALVE  
Servovalve

F90

23DBA  
SILENCIEUX  
SILENT

3/8"  
LAITON  
BRASS  
COMPACT

ROBINET FLOTTEUR  
Servo valve  
INLET VALVE  
Servovalve

F90

23DBA  
SILENCIEUX  
SILENT

3/8"  
LAITON  
BRASS  
COMPACT

ROBINET FLOTTEUR  
Servo valve  
INLET VALVE  
Servovalve

F90

23DBA  
SILENCIEUX  
SILENT

3/8"  
LAITON  
BRASS  
COMPACT

ROBINET FLOTTEUR  
Servo valve  
INLET VALVE  
Servovalve

F90

23DBA  
SILENCIEUX  
SILENT

3/8"  
LAITON  
BRASS  
COMPACT

ROBINET FLOTTEUR  
Servo valve  
INLET VALVE  
Servovalve

F90

23DBA  
SILENCIEUX  
SILENT

3/8"  
LAITON  
BRASS  
COMPACT

ROBINET FLOTTEUR  
Servo valve  
INLET VALVE  
Servovalve

F90

23DBA  
SILENCIEUX  
SILENT

3/8"  
LAITON  
BRASS  
COMPACT

ROBINET FLOTTEUR  
Servo valve  
INLET VALVE  
Servovalve

F90

23DBA  
SILENCIEUX  
SILENT

3/8"  
LAITON  
BRASS  
COMPACT

ROBINET FLOTTEUR  
Servo valve  
INLET VALVE  
Servovalve

F90

23DBA  
SILENCIEUX  
SILENT

3/8"  
LAITON  
BRASS  
COMPACT

ROBINET FLOTTEUR  
Servo valve  
INLET VALVE  
Servovalve

F90

23DBA  
SILENCIEUX  
SILENT

3/8"  
LAITON  
BRASS  
COMPACT

ROBINET FLOTTEUR  
Servo valve  
INLET VALVE  
Servovalve

F90

23DBA  
SILENCIEUX  
SILENT

3/8"  
LAITON  
BRASS  
COMPACT

ROBINET FLOTTEUR  
Servo valve  
INLET VALVE  
Servovalve

F90

23DBA  
SILENCIEUX  
SILENT

3/8"  
LAITON  
BRASS  
COMPACT

ROBINET FLOTTEUR  
Servo valve  
INLET VALVE  
Servovalve

F90

23DBA  
SILENCIEUX  
SILENT

3/8"  
LAITON  
BRASS  
COMPACT

ROBINET FLOTTEUR  
Servo valve  
INLET VALVE  
Servovalve

F90

23DBA  
SILENCIEUX  
SILENT

3/8"  
LAITON  
BRASS  
COMPACT

ROBINET FLOTTEUR  
Servo valve  
INLET VALVE  
Servovalve

F90

23DBA  
SILENCIEUX  
SILENT

3/8"  
LAITON  
BRASS  
COMPACT

ROBINET FLOTTEUR  
Servo valve