

# FLUSH MECHANISMS ONLY

## MX PULL SINGLE FLUSH CHROMED BUTTON



The WIRQUIN MX pull single flush valve requires no height adjustments and is ready to install and use. Its height is standard and compatible with every cisterns.

### BENEFITS



#### EASY TO INSTALL

- MX: pull mecanism

### CHARACTERISTICS

Pull. Single.

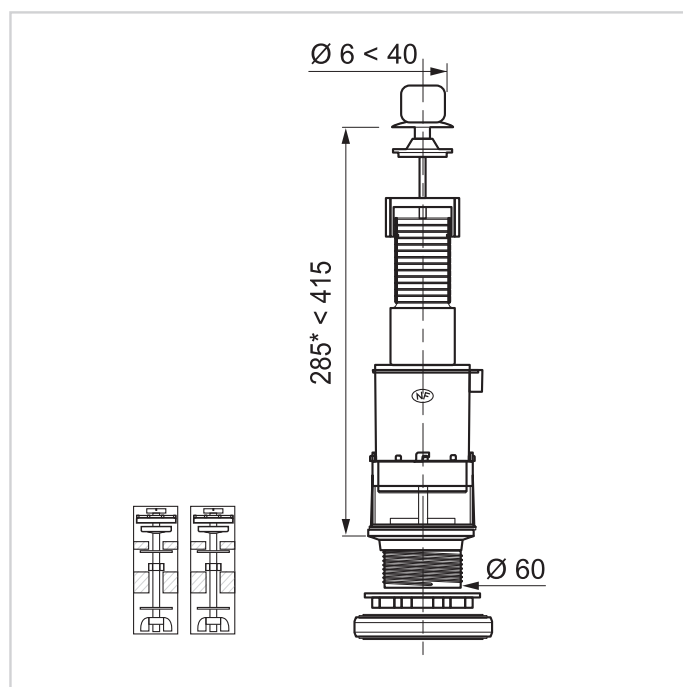
Positioning of button : Top.

Height of cistern min. : 285 mm. Height of cistern max. : 415 mm.

Lid hole  $\varnothing$  min. : 6 mm. Lid hole  $\varnothing$  max. : 40 mm.

Base  $\varnothing$  : 60 mm. Base  $\varnothing$  (inch) : 2 Inch.

Adjustment of the overflow : Fixe. Height of the overflow min. : 185 mm. Height of the overflow max. : 230 mm.



# MX PULL SINGLE FLUSH CHROMED BUTTON

## KEY INFORMATION

Product name	Product code	EAN 13 / GTIN 13	Packaging	Product Qty / box
MX PULL SINGLE FLUSH CHROMED BUTTON	10723590	3375537234479	PLASTIC BAG	22